

FLOOR PLAN

SCALE: NTS

ARCH REF: 1/A-2.2
1/A-2.2

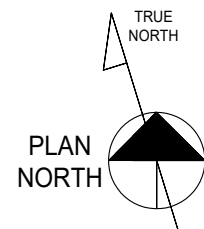
QUANTITY: TYPE A - 7
TYPE B - 1
TYPE C - 6



GROUND FLOOR

KAWNEER IR-501 IMPACT ALUMINUM STOREFRONT
 KAWNEER 350-IR IMPACT ALUMINUM ENTRANCE
 CR LAURENCE ALUMINUM TRANSACTION WINDOW
 MISCELLANEOUS GLASS

TYPE D - 1 TYPE E - 13 TYPE F - 3

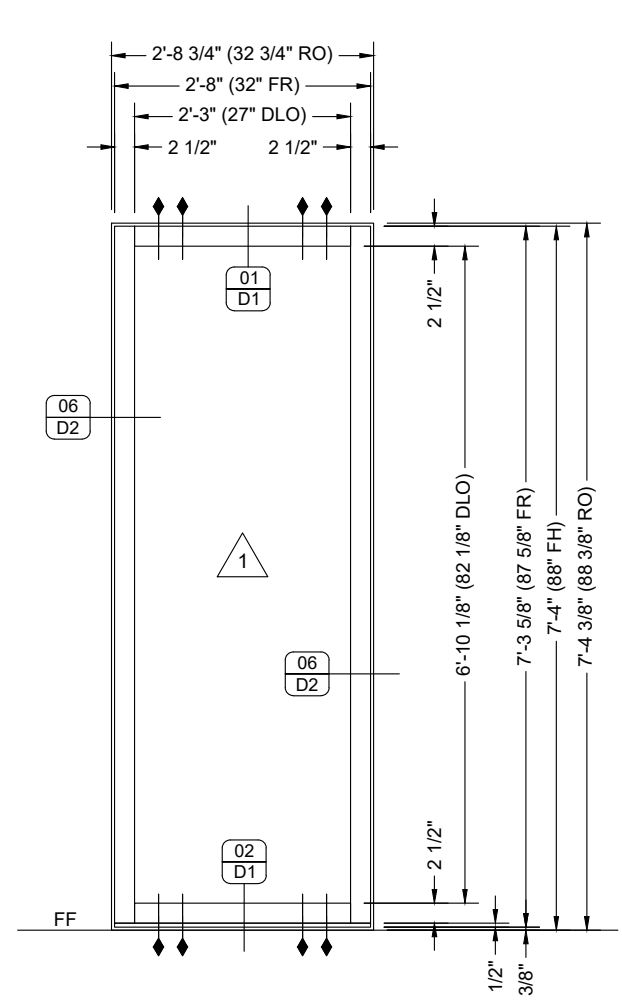


NO.	DATE	DESCRIPTION
1	05/06/23	First Submittal
2	05/31/23	Revise Count on Window Units

EVINS GLASS SERVICE, INC
 101 N.P.I.D., CORPUS CHRISTI, TX 78406
 WORK (361) 884-3995 FAX (361) 884-4262

PROJECT: THRU TUBING SOLUTIONS
NEW BUILDING
 ARCHITECT: W.W. SCHAEFER ENGINEERING & CONSULTING
 (817) 744-9424
 GENERAL CONTRACTOR: BARCOM CONSTRUCTION, INC.
 (361) 851-1000

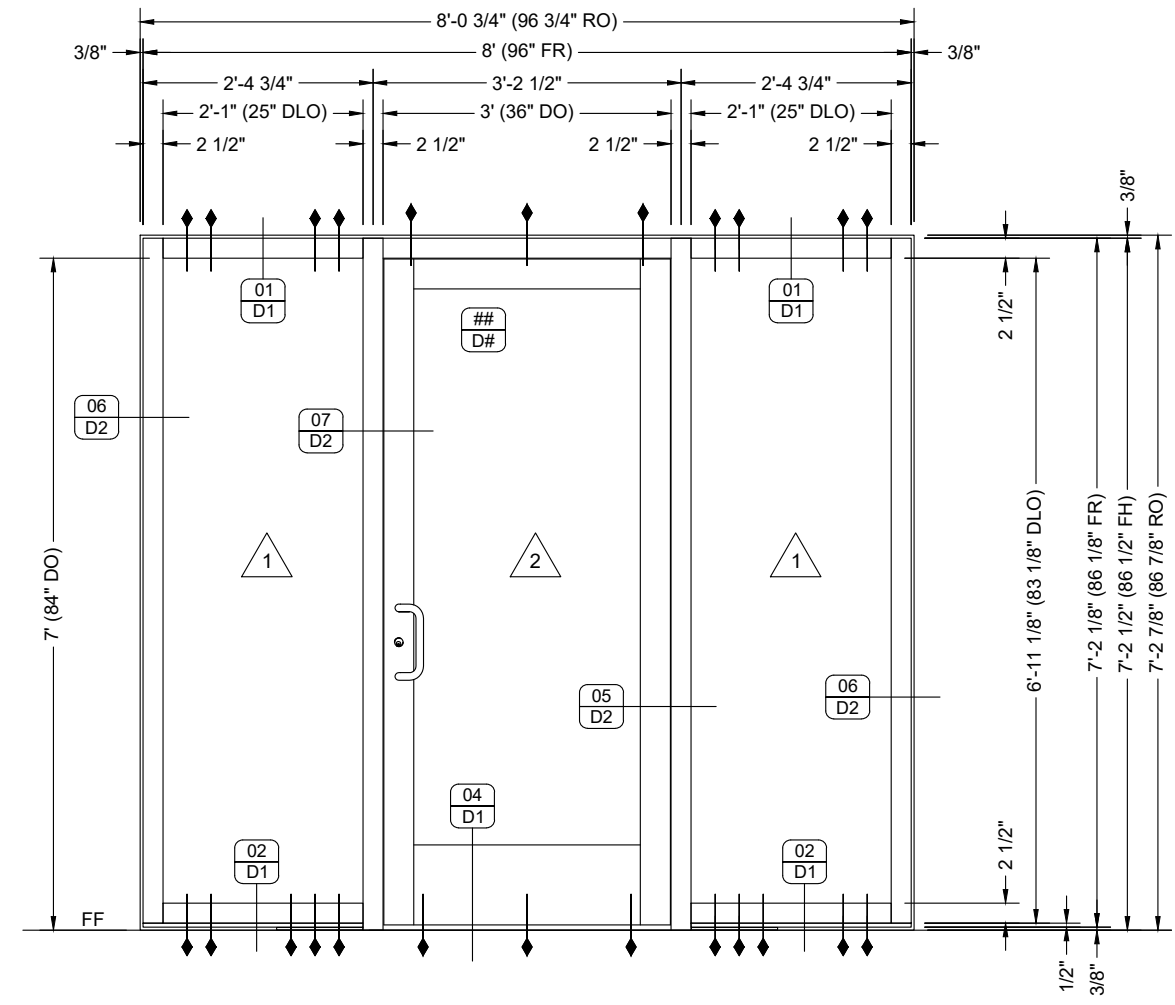
PROJECT NO.	EGS-2301-01
DRAWN BY	fp
DATE	05/06/23
SCALE	NTS
DRAWING	FLOOR PLANS
SHEET	P1



ELEVATION

QUANTITY: 07
SCALE: 1/2" = 1'-0"
ARCH REF: 1/A2.1
1/A2.2
A/A2.2

A EXT STOREFRONT
KAWNEER IR-501 IMPACT ALUMINUM STOREFRONT



ELEVATION

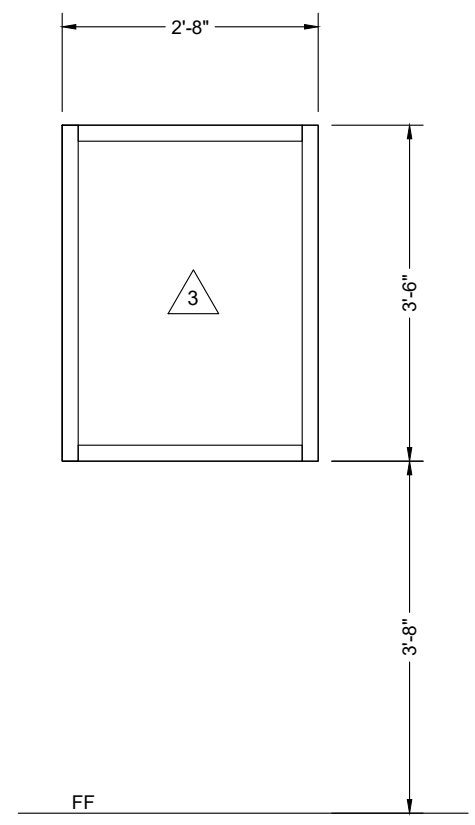
QUANTITY: 01
SCALE: 1/2" = 1'-0"
ARCH REF: 1/A2.1
1/A2.2
B/A2.2
DS/A2.2

B EXT STOREFRONT
KAWNEER IR-501 IMPACT ALUMINUM STOREFRONT
KAWNEER 350-IR IMPACT MEDIUM STILE ENTRANCE

ELEVATION

QUANTITY: 06
SCALE: 1/2" = 1'-0"
ARCH REF: 1/A2.1
1/A2.2
C/A2.2

C MISCELLANEOUS GLASS
GLASS ONLY



NO.	DATE	DESCRIPTION
2	05/31/23	Revise Count on Window Units
1	05/06/23	First Submittal

EVINS GLASS SERVICE, INC
101 N.P.I.D., CORPUS CHRISTI, TX 78406
WORK (361) 884-3995 FAX (361) 884-4262

PROJECT: THRU TUBING SOLUTIONS
NEW BUILDING
ARCHITECT: W.W. SCHAEFER ENGINEERING & CONSULTING (817) 746-3426
GENERAL CONTRACTOR: BARCOM CONSTRUCTION, INC. (817) 881-1000

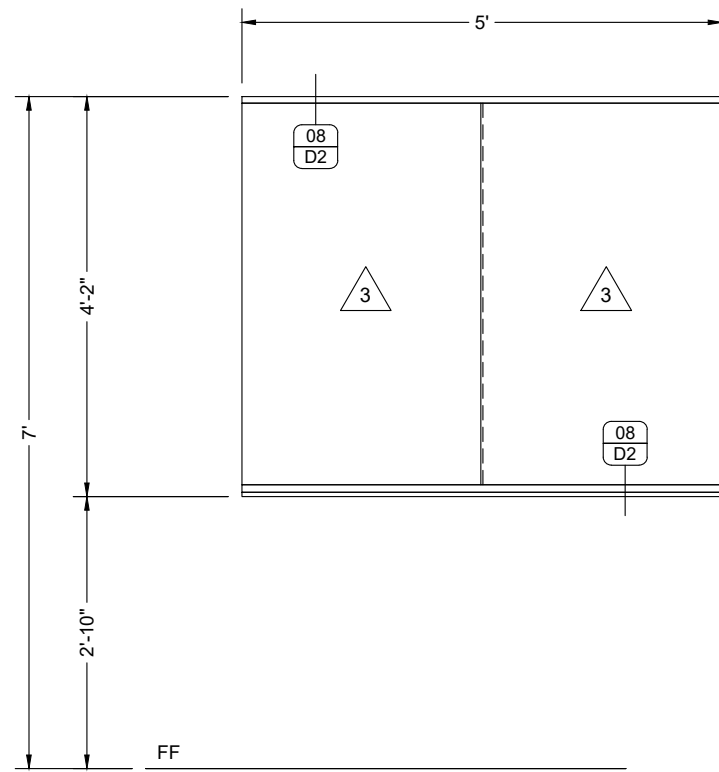
PROJECT NO.	EGS-2301-01
DRAWN BY	fp
DATE	05/06/23
SCALE	1/2" = 1'-0"
DRAWING	ELEVATIONS
SHEET	E1

NO.	DATE	DESCRIPTION
1	05/06/23	First Submittal
2	05/31/23	Revise Count on Window Units

EVINS GLASS SERVICE, INC
 101 N.P.I.D., CORPUS CHRISTI, TX 78406
 WORK (361) 884-3995 FAX (361) 884-4262

PROJECT: THRU TUBING SOLUTIONS
NEW BUILDING
 ARCHITECT: W.W. SCHAEFER ENGINEERING & CONSULTING
 (817) 746-3426
 GENERAL CONTRACTOR: BARCOM CONSTRUCTION, INC.
 (817) 881-1000

PROJECT NO.	EGS-2301-01
DRAWN BY	fp
DATE	05/06/23
SCALE	1/2" = 1'-0"
DRAWING	ELEVATIONS
SHEET	E2



ELEVATION

QUANTITY: 01
 SCALE: 1/2" = 1'-0"
 ARCH REF: 1/A2.1
 1/A2.2
 D/A2.2



TRANSACTION WINDOW

CR LAURENCE SERIES D2730 TRANSACTION WINDOW

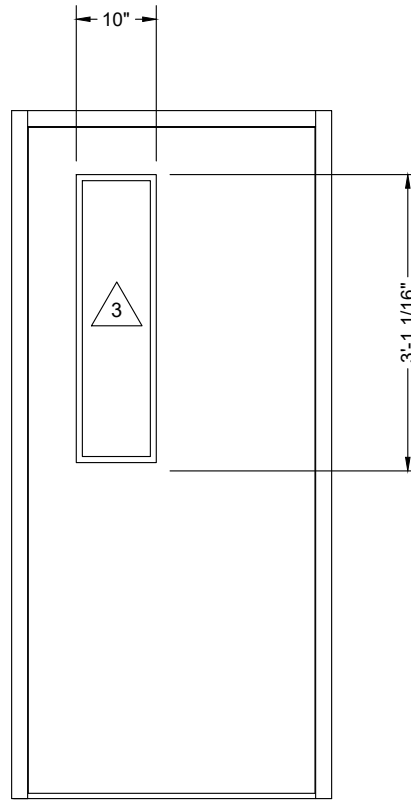
ELEVATION

QUANTITY: 13
 SCALE: 1/2" = 1'-0"
 ARCH REF: 1/A2.1
 1/A2.2
 E/A2.2
 DS/A2.2



MISCELLANEOUS GLASS

GLASS ONLY



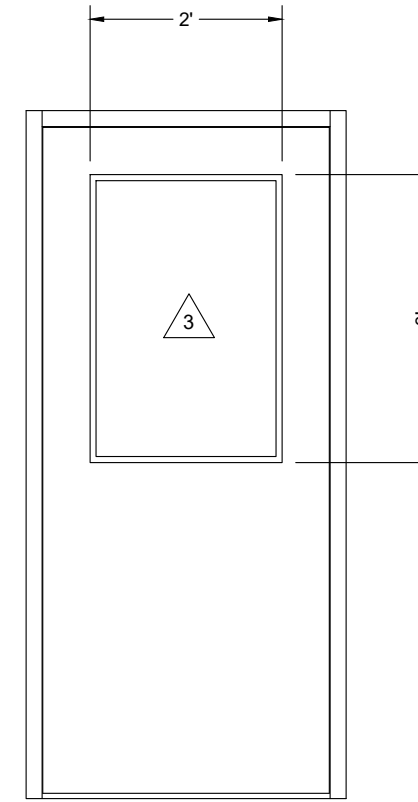
ELEVATION

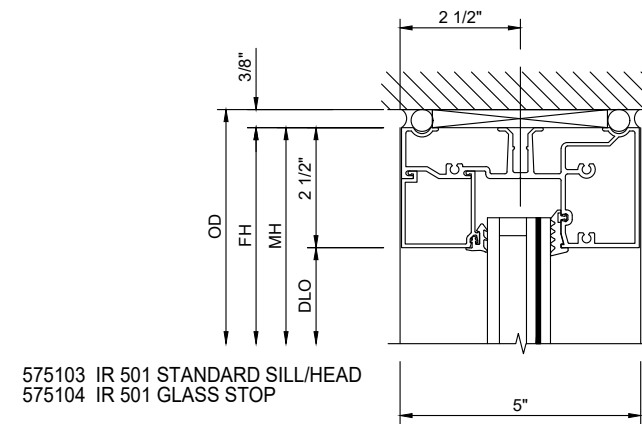
QUANTITY: 03
 SCALE: 1/2" = 1'-0"
 ARCH REF: 1/A2.1
 1/A2.2
 F/A2.2
 DS/A2.2



MISCELLANEOUS GLASS

GLASS ONLY





575103 IR 501 STANDARD SILL/HEAD
575104 IR 501 GLASS STOP

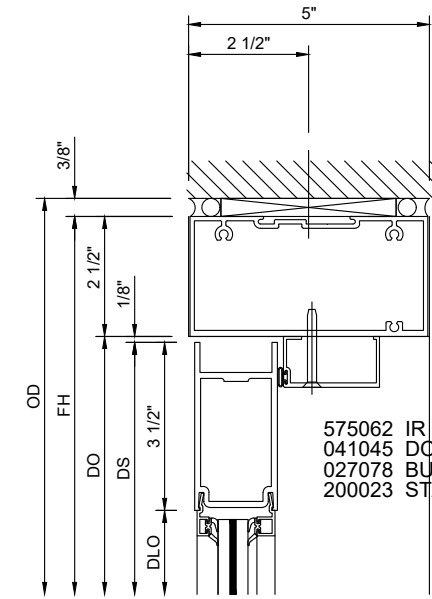
DETAIL

SCALE: 3" = 1'-0"
ARCH REF: N/A

01

EXT HEAD

KAWNEER IR 501 ALUMINUM STOREFRONT



575062 IR 500/501 COC TRANSOM BAR
041045 DOOR STOP
027078 BULB DOOR WEATHERING
200023 STANDARD 350 TOP RAIL

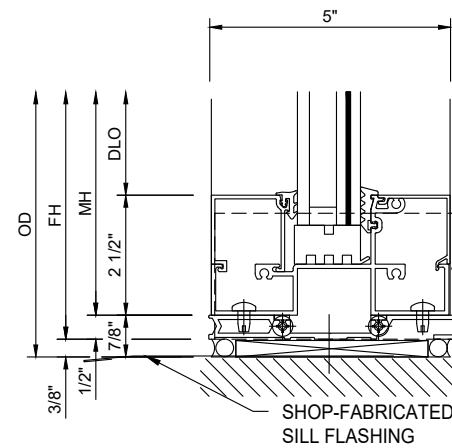
DETAIL

SCALE: 3" = 1'-0"
ARCH REF: N/A

03

DOOR HEADER

KAWNEER 350 IR IMPACT RESISTANT
OUT-SWING ENTRANCE ON IR 501 FRAME



575158 IR 501 OPTIONAL SILL
575157 HP SILL FLASHING
575208 END DAM
575159 IR 501 OPTIONAL SILL COVER
575104 IR 501 GLASS STOP

SHOP-FABRICATED
SILL FLASHING

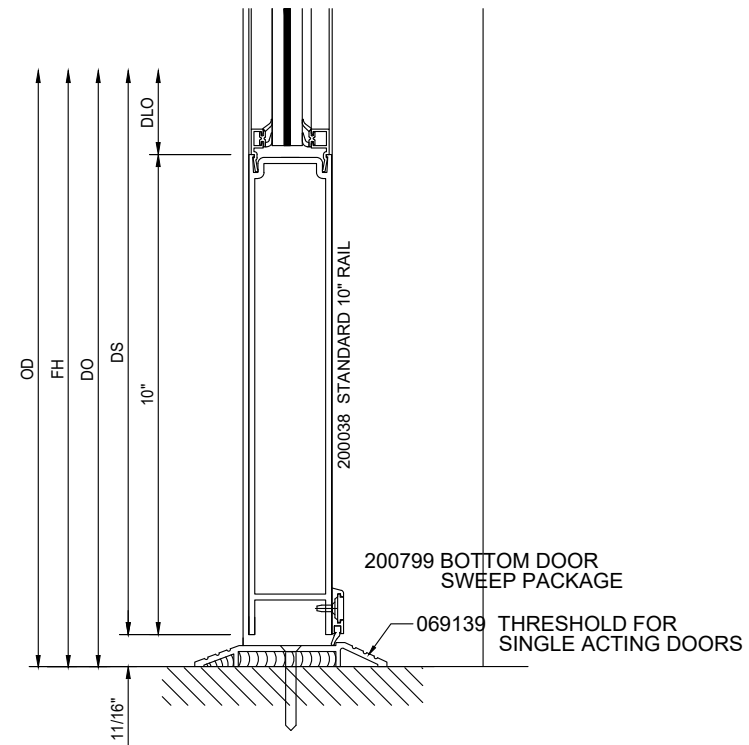
DETAIL

SCALE: 3" = 1'-0"
ARCH REF: N/A

02

EXT SILL

KAWNEER IR 501 ALUMINUM STOREFRONT



200799 BOTTOM DOOR
SWEEP PACKAGE

069139 THRESHOLD FOR
SINGLE ACTING DOORS

DETAIL

SCALE: 3" = 1'-0"
ARCH REF: N/A

04

BOTTOM RAIL

KAWNEER 350 IR IMPACT RESISTANT
OUT-SWING ENTRANCE

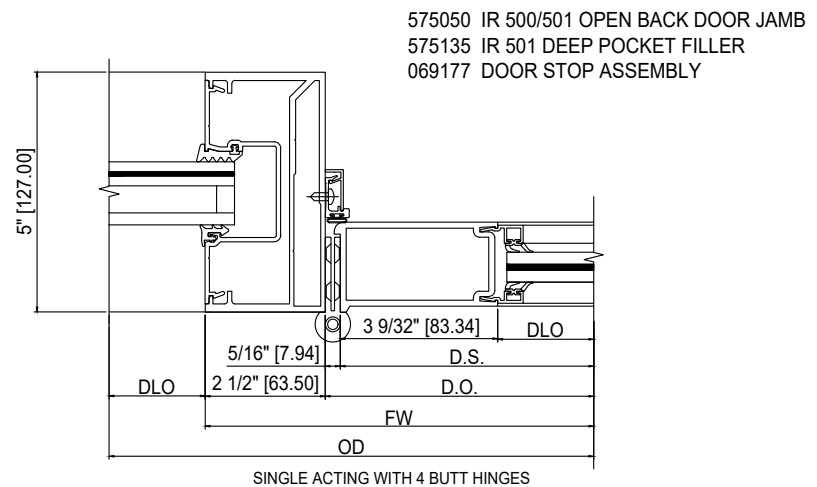
NO.	BY	DATE	DESCRIPTION
2	fp	05/31/23	Revise Count on Window Units
1	fp	05/06/23	First Submittal

EVINS GLASS SERVICE, INC

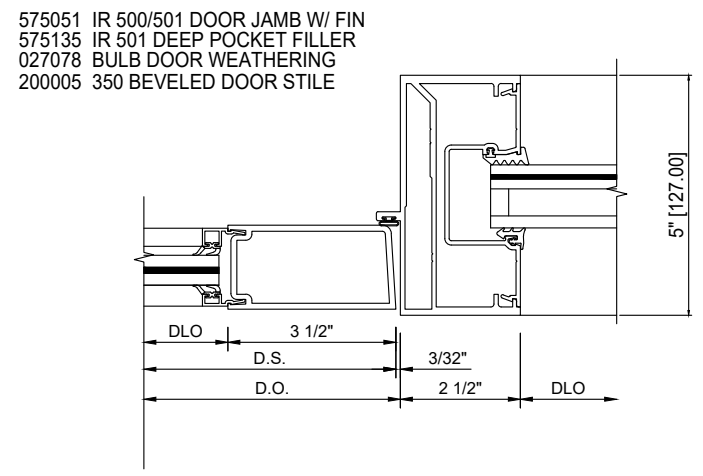
101 N.P.I.D., CORPUS CHRISTI, TX 78406
WORK (361) 884-3995 FAX (361) 884-4262

PROJECT
THRU TUBING SOLUTIONS
NEW BUILDING
ARCHITECT
W.W. SCHAEFER ENGINEERING & CONSULTING
(817) 744-3426
GENERAL CONTRACTOR
BARCOM CONSTRUCTION, INC.
(817) 851-1000

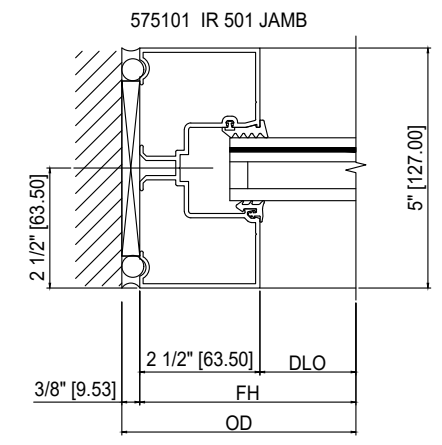
PROJECT NO.	EGS-2301-01
DRAWN BY	fp
DATE	05/06/23
SCALE	3" = 1'-0"
DRAWING	DETAILS
SHEET	D1



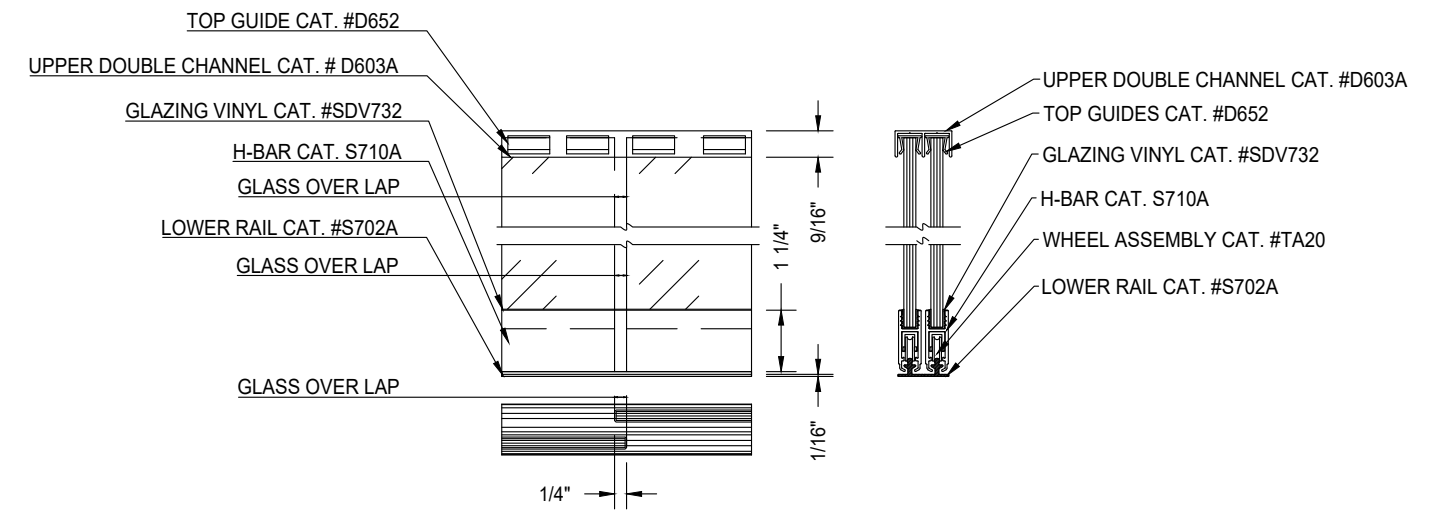
DETAIL 05 HINGED JAMB W/SIDELITE
SCALE: 3" = 1'-0"
ARCH REF: N/A
KAWNEER 350 IR IMPACT RESISTANT
OUT-SWING ENTRANCE ON IR 501 FRAME



DETAIL 07 STRIKE JAMB W/SIDELITE
SCALE: 3" = 1'-0"
ARCH REF: N/A
KAWNEER IR 501 ALUMINUM STOREFRONT



DETAIL 06 EXT JAMB
SCALE: 3" = 1'-0"
ARCH REF: N/A
KAWNEER IR 501 ALUMINUM STOREFRONT



DETAIL 08 TRANSACTION WINDOW
SCALE: 3" = 1'-0"
ARCH REF: N/A
CR LAURENCE S700A TRANSACTION WINDOW

NO.	DATE	BY	DESCRIPTION
2	05/31/23	fp	Revise Count on Window Units
1	05/06/23	fp	First Submittal

EVINS GLASS SERVICE, INC
101 N.P.I.D., CORPUS CHRISTI, TX 78406
WORK (361) 884-3995 FAX (361) 884-4262

PROJECT: THRU TUBING SOLUTIONS
NEW BUILDING
ARCHITECT: W.W. SCHAEFER ENGINEERING & CONSULTING (881) 744-3426
GENERAL CONTRACTOR: BARCOM CONSTRUCTION, INC. (361) 861-1000

PROJECT NO.	EGS-2301-01
DRAWN BY	fp
DATE	05/06/23
SCALE	3" = 1'-0"
DRAWING	DETAILS
SHEET	D2